



1.888.880.4884

Assembly Instructions

ITEM Number : ALZ384-1

Product Name: Phoenix Mosaic Square Fire Pit with Cover –Rust

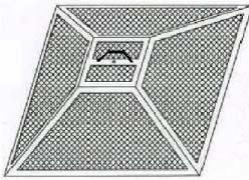
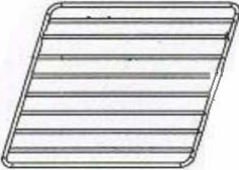
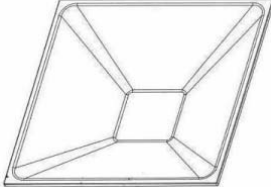
PRE-ASSEMBLY PREPARATION:


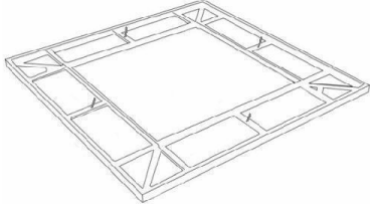


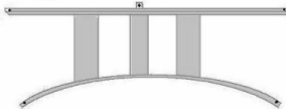
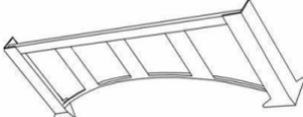






- Unpack parts on a clean, flat surface and check against the parts list.
- This fire pit is intended for outdoor use only. DO NOT use on a wooden deck.
- Do not use near flammable or combustible objects or materials.
- It is intended to burn wood logs only.
- Not for use by children. Keep children & pets away from open flames.
- Never leave burning fire pit unattended.
- Always extinguish fire thoroughly before leaving the fire pit.
- The lift handle on the mesh screen will be hot and unsafe to directly touch during use.

Carefully use the included poker when handling.

- Do not use the fire pit as cooking appliance. It is not designed for grilling food.
- Keep the small parts, including BOLTS AND NUTS away from the children.

Panel and Fittings Identification:

NO.	PARTS	IMAGES	QTY.
A	Fire screen with handle		1
B	Wood grate		1
C	24” square fire bowl		1

D	Ash catcher		1
E	Decorative square top (with 4 helixes)		1
F	Long table tile		4
G	Short table tile		4
H	Iron stand part I		2
I	Iron stand part II		2
J	Safety poker		1
AA	M6 X 10 Bolt		8
BB	M6 X 14 Bolt		4
CC	M6 Nut		4
DD	M5 Bolt		3
EE	M5 Nut		3

Step By Step Assembly Instructions

Step 1: Choose a level location for set up.

Step 2: Connect Iron stand part I (H) to Iron stand part II (I) using M6 X 10 Bolts (AA) as per Fig 1.

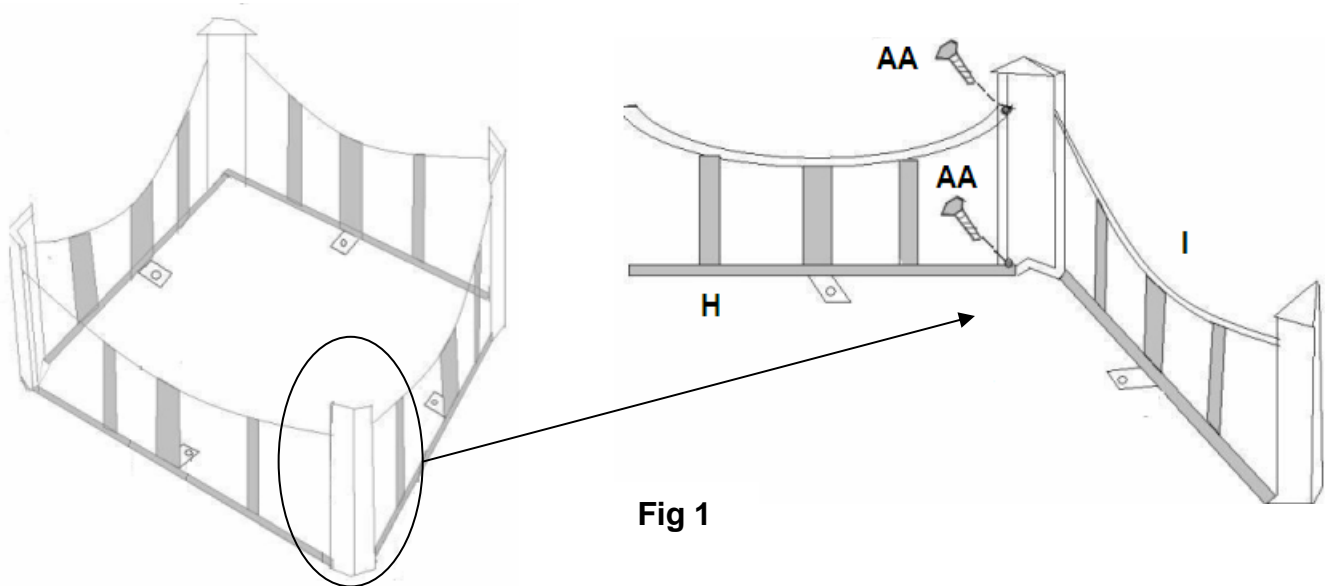


Fig 1

Step 3: Put Decorative square top (E) on something soft and flat cardboard. Connect stand (H & I) to decorative top (E) by fixing Screws (BB) and M6 Nuts (CC). Fig 2.

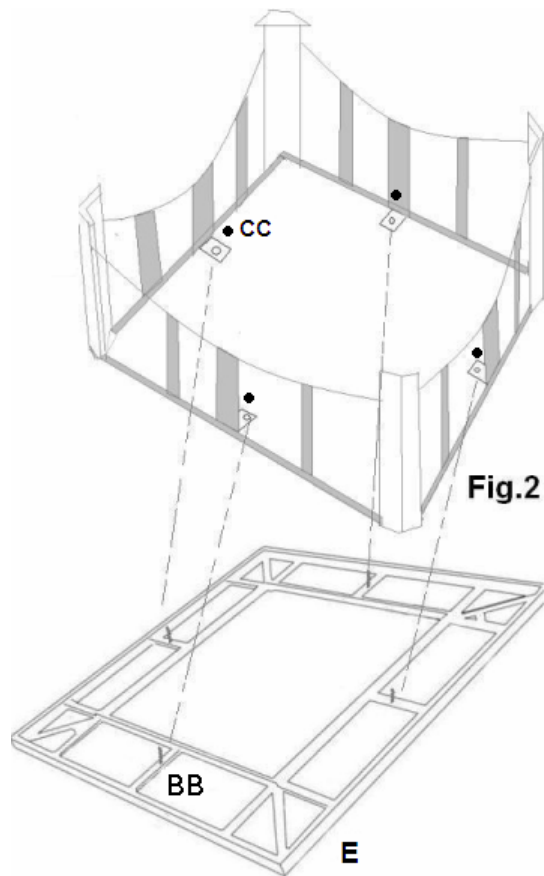


Fig.2

Step 4: Attach Ash catcher (D) to Bowl (C) using M5 Bolts (DD) and M5 Nuts (EE). Fig 3.

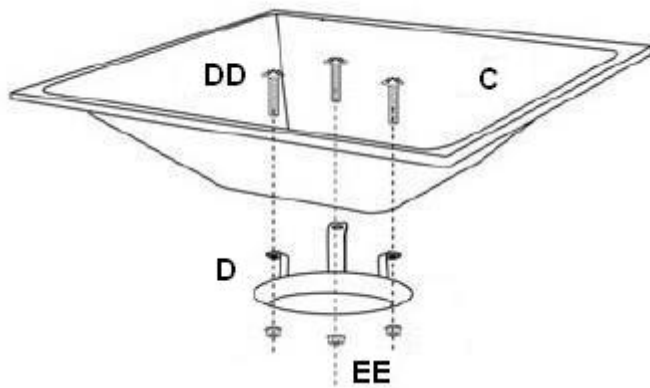


Fig 3

Step 5: Turn over the entire assembly and make sure it is level with the floor. Place Tile (F & G) on Decorative square top (E). Place 24" square fire bowl (C) into assembled stand, then place Wood grate (B) into fire bowl. Place Fire screen (A) on the top of the bowl (C). Fig 4.

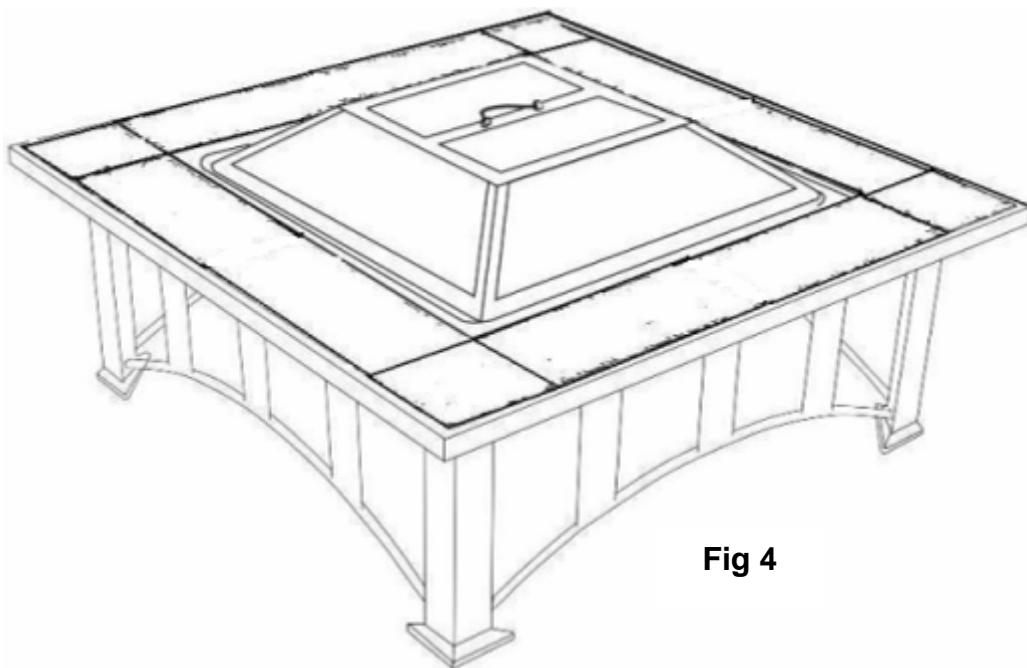


Fig 4

Your fire pit is now ready for use. Enjoy!