



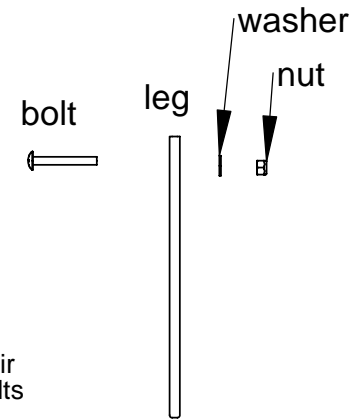
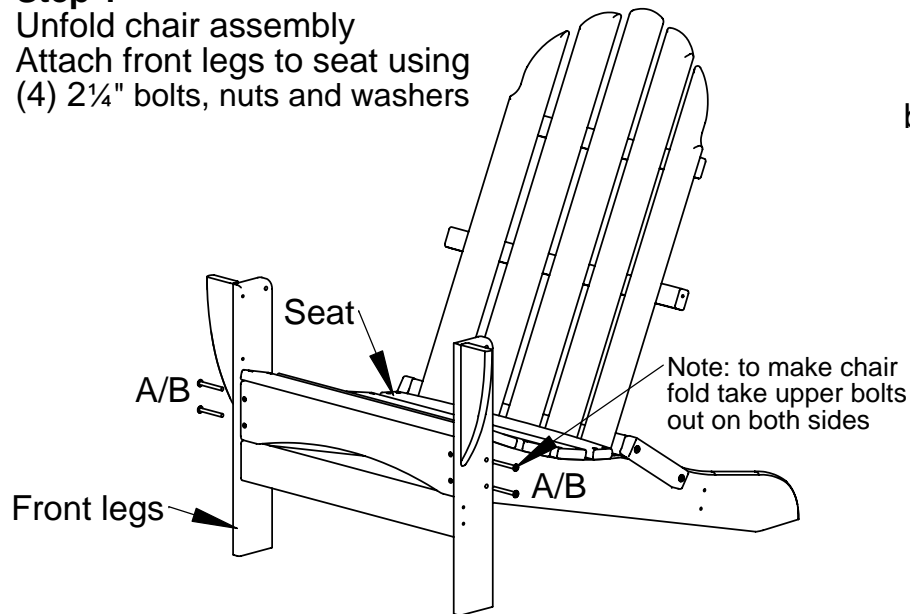
**Assembly Instructions**  
**Model: CBAD**

- \_\_\_ Seat & Back assembly
- \_\_\_ Front leg assembly
- \_\_\_ Arms
- \_\_\_ Hardware pack

**Tools Needed**

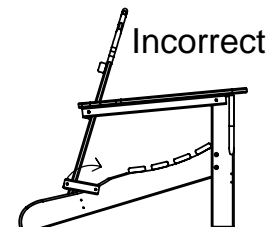
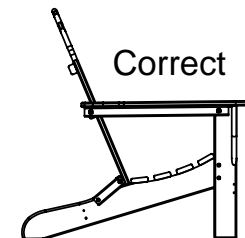
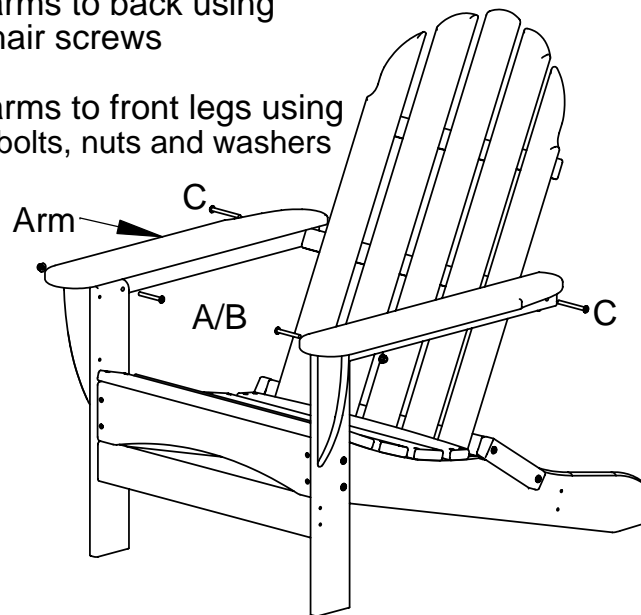
- 7/16 wrench
- Phillips head screwdriver or 4mm hex key

**Step 1**  
 Unfold chair assembly  
 Attach front legs to seat using  
 (4) 2 1/4" bolts, nuts and washers



**Step 2**  
 Attach arms to back using  
 (2) 3" chair screws

Attach arms to front legs using  
 (2) 2 1/4" bolts, nuts and washers



Qty.	Description
------	-------------

6	A - 2 1/4" Bolt
---	-----------------

6	B - 1/4" Washer
---	-----------------

6	B - 1/4" Lock nut
---	-------------------

2	C - 3" Chair screw
---	--------------------